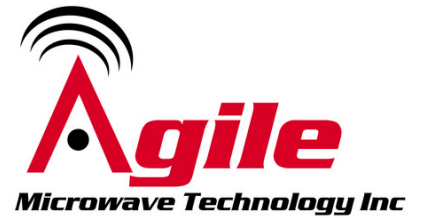


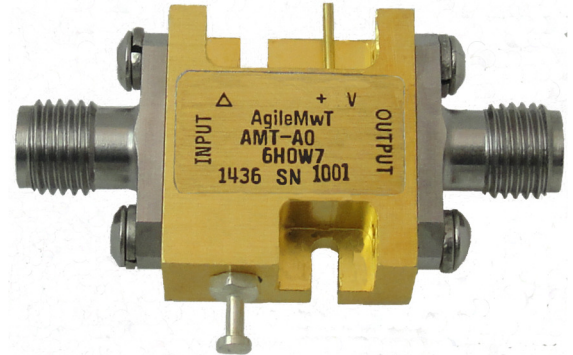
# AMT-A0049 10.3 GHz to 10.7 GHz Low Noise Amplifier

## Data Sheet



## Features

- 10.3 GHz to 10.7 GHz Frequency Range
- Typical Noise Figure < 0.8 dB
- Typical Gain 33 dB
- Gain Flatness <  $\pm 1.5$  dB
- Internally Regulated
- Operates from a Single +12 to +15V Supply
- Unconditionally Stable
- State-of-the-Art GaAs Technology



## Description

The AMT-A0049 is a Low Noise amplifier with very low noise figure over the full frequency range. The performance is achieved through the use of AMTI's proprietary technology. The amplifier I/Os are Internally matched to 50 Ohms. The AMT-A0049 is ideal for use as Front End of receiver system, or where amplification is required without adding excessive noise in a Hi-Rel communications system for Commercial or Military applications

## Applications

- Receiver front end,
- Communication systems
- Microwave Radio systems
- Test Equipment

## MAXIMUM RATINGS<sup>1</sup>

Parameter	Symbol	Units	MIN	MAX
Operating Temperature – Case	$T_{MO}$	$^{\circ}C$	-40	+85
Storage Temperature - Case	$T_{MS}$	$^{\circ}C$	-55	+150
RF Input power (CW)	$P_{in}$	dBm		+10
Die $T_{Junction}$	$T_J$	$^{\circ}C$		+150
Positive Supply Voltage	$V_{+SS}$	V		+15.5

1.Stresses above those listed under "Absolute Maximum Rating" may cause permanent damage to the device. This is a stress rating only and functional operation of the device at these or any other conditions above those indicated in the operational sections of this specification is not implied. Exposure to absolute maximum rating conditions for extended periods may affect device reliability.

## ELECTRICAL SPECIFICATIONS @ 23°C

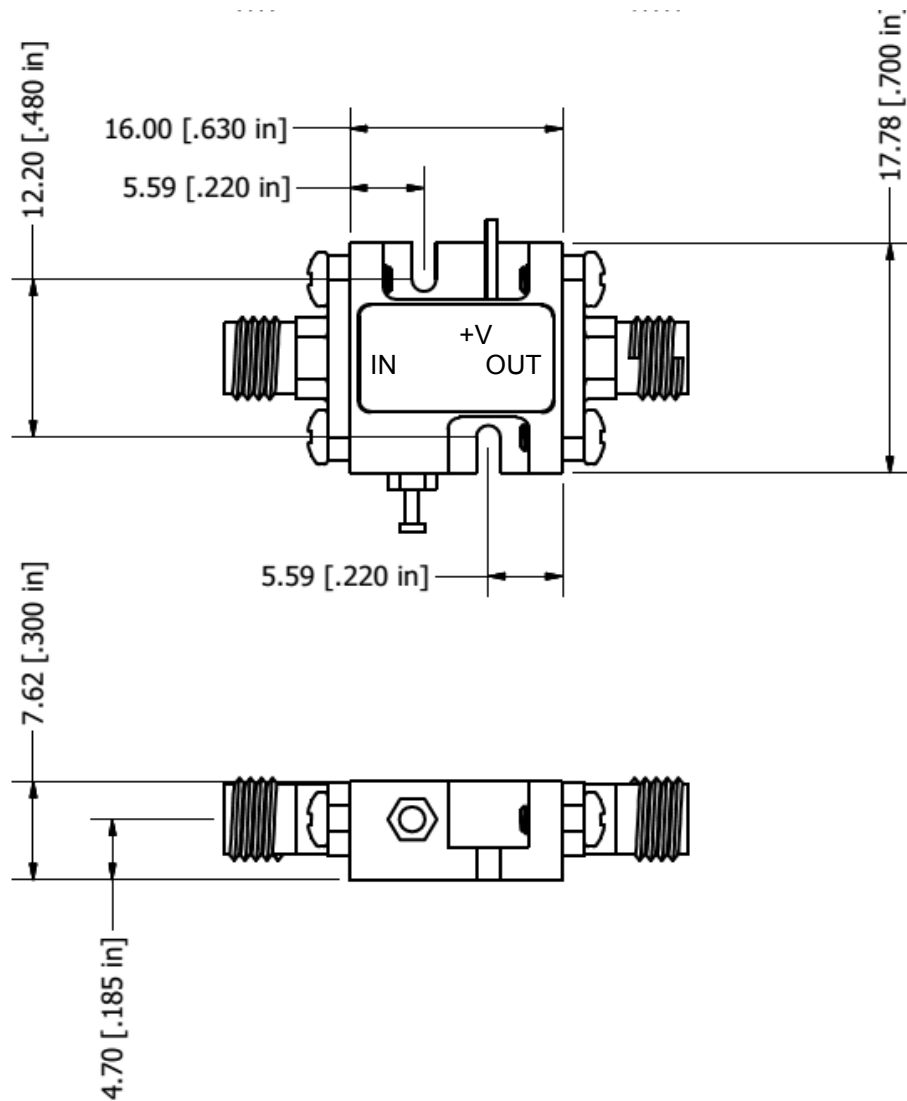
Parameter	Conditions	Units	MIN	Typical	MAX
Frequency Range		GHz	10.3		10.7
Gain	Small Signal	dB	31	33	
Gain Flatness		dB		±1.5	
Output Power (P1dB)	1 dB compression point @ 10.5 GHz	dBm		10	
OIP3	OIP3 measured @ 10.5 GHz Two tone F1-F2= 10MHz	dB	17	20	
Noise Figure		dB		0.8	0.9
RF Input Impedance	Reference to 50 ohms VSWR			1.9:1	2.0:1
RF Output Impedance	Reference to 50 ohms			1:5:1	2.0:1
Supply Voltage Positive:		V	+12		+15
Supply Current Positive:		mA		105	150

Notes:

1/ Unconditional Stability

Customized configurations of the above specifications are available

## Package Outline: SMA Connectorized (inches)



Housing: Aluminum Gold over Nickel plated  
Removable SMA and Ground Slug

Model Number	Description	Hermeticity	Package
AMT-A0049	SMA Female	Non-Hermetic	Outline: M088

Contact us for custom configurations and special requirements.

Our highly experienced team of engineers can quickly identify and implement innovative solutions using latest technology to improve performance and reduce cost.

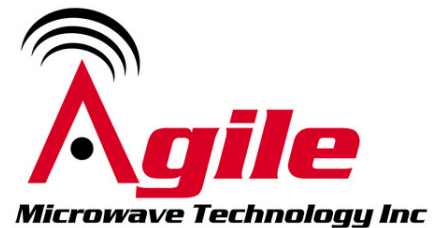
- Add additional functionality: Input limiter, Temperature compensation, Amplitude/Phase matching, Amplitude/Phase Tracking, Automatic Gain control, Gain sloping, Bypass path, Specific supply voltage, Regulation, Power detector, Health status, and others
- Integrated: Filters, Switches, Limiter, Digital attenuator, Phase shifter, Microcontroller, Multiple amplifiers, Switch matrix, Comb generators and others
- Mechanical: Custom packages - Surface Mount, Connectorized, Waveguide, Carrier, Drop-in, Hermetic and others

Agile Microwave Technology Inc is the logical choice for all your commercial or military RF/Microwave components/module requirements.

## Contact Information:

**701 Cascade Pointe Lane  
Cary, NC 27513**

**ISO 9001:2015  
Certified Company**



**Phone: (984) 228-8001**

**[info@agilemwt.com](mailto:info@agilemwt.com)**

**[www.agilemwt.com](http://www.agilemwt.com)**

AMTI reserves the right to change at any time without notice the design, specifications, function/form or availability of its products described herein. The buyer/customer has the responsibility to validate the performance for their applications. No liability is assumed as result of use of this product and no patent licenses are implied. AMTI reserves all rights.